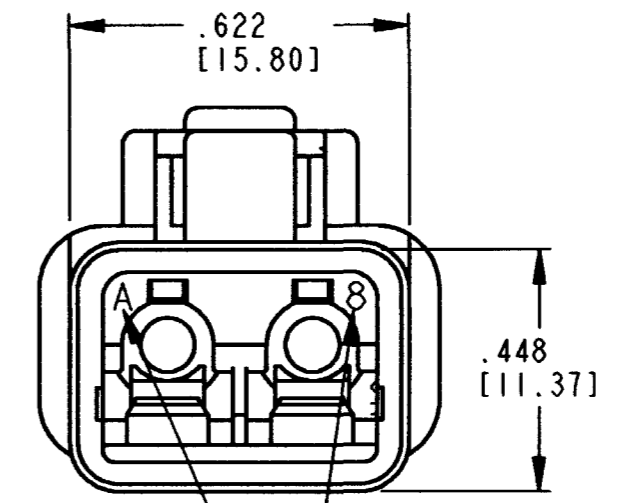
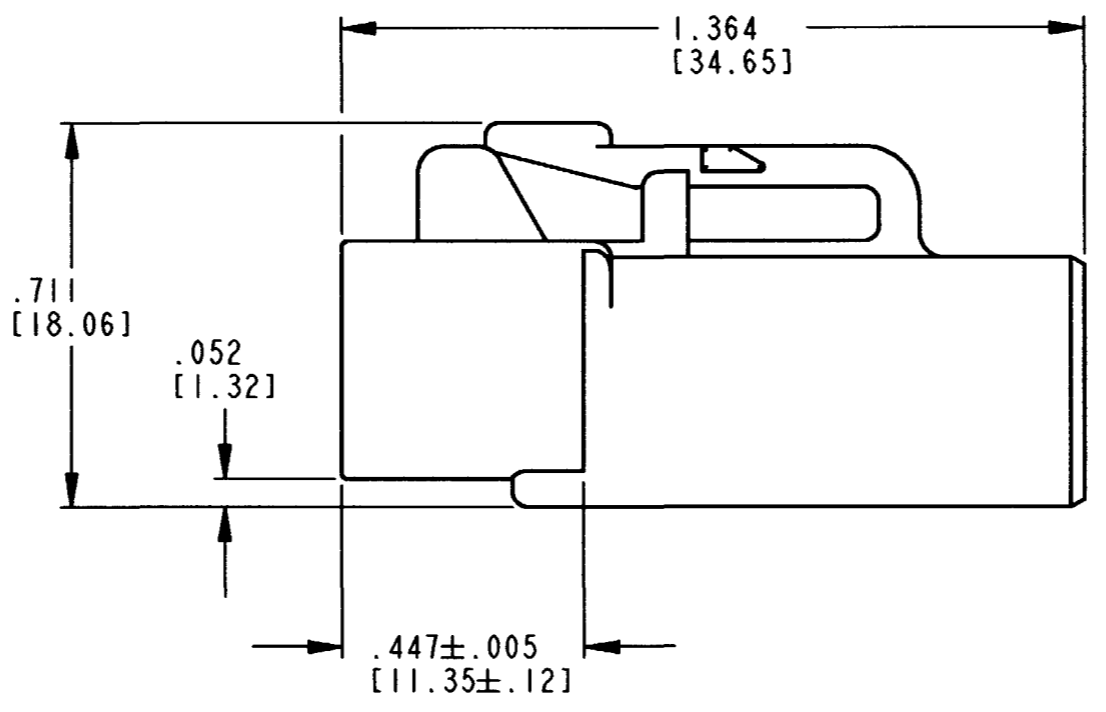
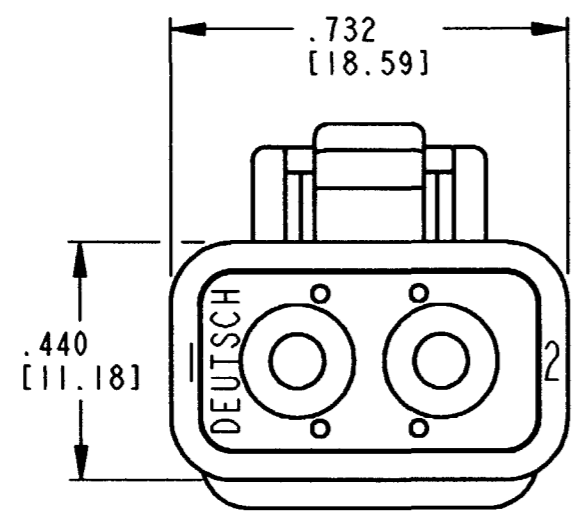


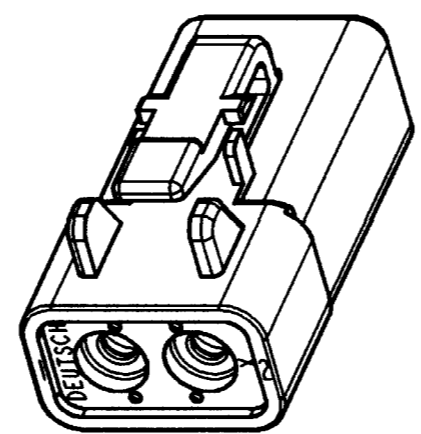
REV C **DTP06-2S**

REVISIONS			
SYM	DESCRIPTION	DATE	APPROVED
NC	NEW RELEASE PER E.O. P15586	03/31/98	R.D.R.
A	REVISED PER E.O. P16264	08/30/99	R.D.R.
B	REVISED PER E.O. P17085	1-12-01	R.D.R.
C	REVISED PER E.O. P18823	2-11-05	ADR



DATE CODE: MONTH IS REPRESENTED BY SEQUENTIAL ALPHA CHARACTERS. EX: A=JANUARY; YEAR IS REPRESENTED BY LAST NUMERICAL DIGIT. EX: 8=2008

- 6. MATERIAL: HOUSING: PLASTIC; GROMMET: RUBBER
  - 5. THIS PLUG MATES WITH DTP04-2P-\*\*\*\* RECEPTACLE. (\*\*\*\* = ALL MODIFICATIONS)
  - 4. FOR CONTACT AND WIRE PERFORMANCE AND APPLICATION CHARACTERISTICS SEE ENVELOPE DRAWING 0425-015-0000.
  - 3. SECONDARY WEDGE LOCK SOLD SEPARATELY, WP-2S.
  - 2. DIMENSION TOLERANCE: ±.025 [1.64].
  - 1. DIMENSIONS ARE IN INCHES [mm].
- NOTES: UNLESS OTHERWISE SPECIFIED



**3D VIEW**

CONTACT SIZE	MIN. INSUL. O.D.	MAX INSUL. O.D.	WIRE RANGE [mm <sup>2</sup> ] REF ONLY
12	.134 [3.40]	.195 [4.95]	10-14 AWG [5.0-2.0]

SIGNATURE & DATE		<b>PLUG</b> <b>2 CONTACTS, SIZE 12</b> <b>COLOR: GREY</b> <b>DTP SERIES</b>	CP	MATL CODE	
DR	V. TOMSA MAR-17-98.		<b>The Deutsch Company</b> DEUTSCH I.P.D. 3850 INDUSTRIAL AVE. HEMET, CALIF. 92545		
CHK	X. Sanchez 2/4/05	ENVELOPE	<b>B DTP06-2S</b>		
PE	Madonna Tomax FEB-1-05		DWG SIZE	CODE	SHEET   OF
APPD	Dmax 2/4/05		1139		
SCALE	NONE	WT			